



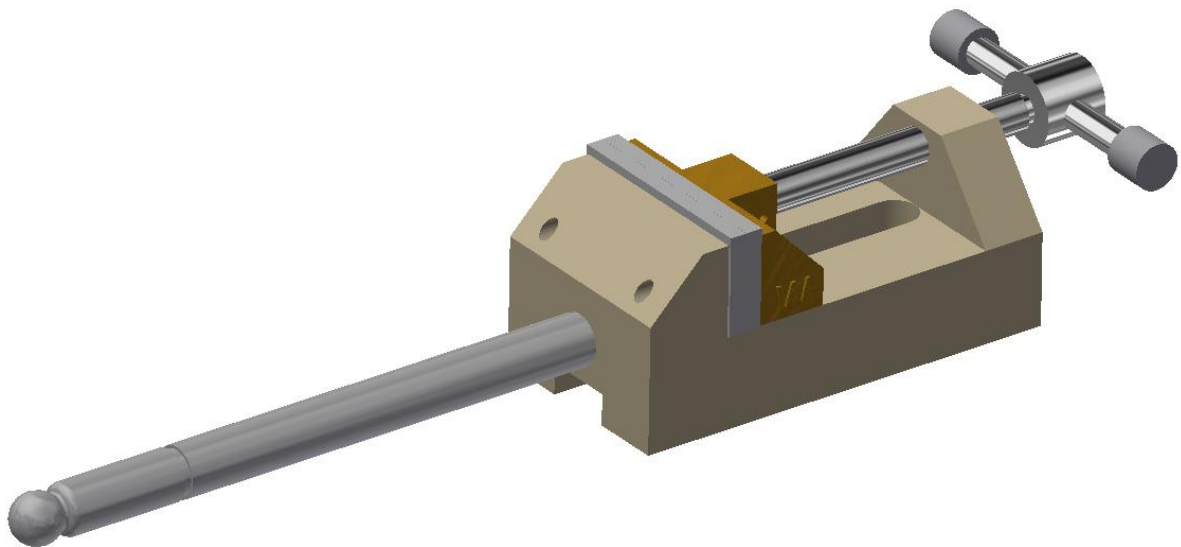
Year 2 – SEM1: Engineering: Tutorial 9

Copy the Vice folder from the Q Drive to your student drive. Or download the files from the website. Assemble the parts provided to create the vice assembly as shown below.

Ensure that the first part inserted in the assembly is placed at the origin and grounded.

A dwfx file is also available so that you can view how the vice is assembled. However take care you do not hand in the sample dwfx OR an iam as you automatically get 0 marks

(Important: Refer to the video book for the process)



Save the assembly file for future use.

Save the Assembly as Tutorial 9.dwfx for handing in